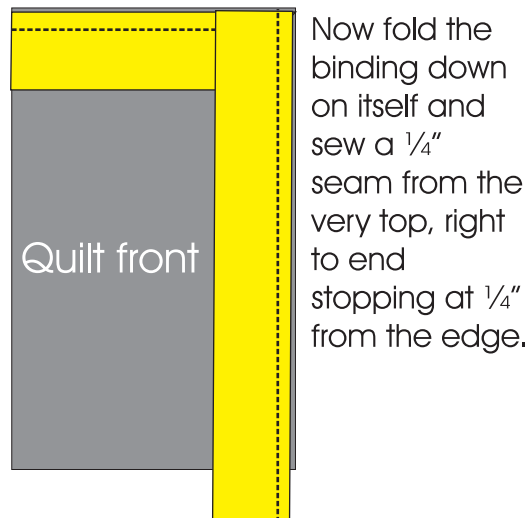
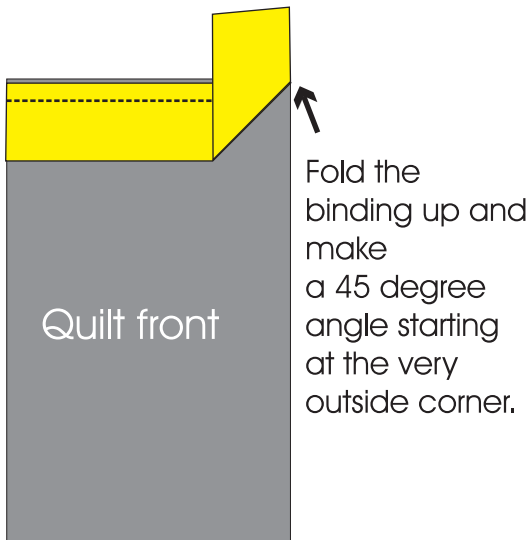
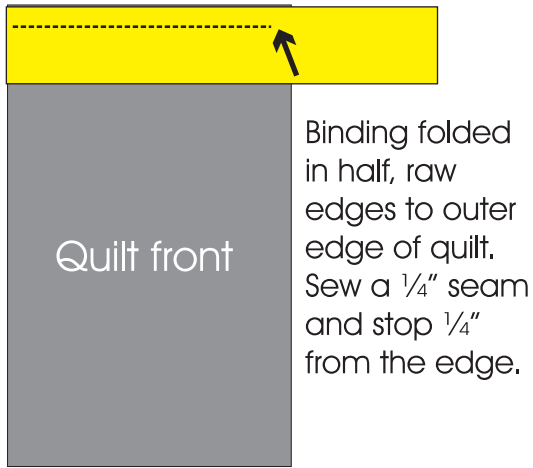
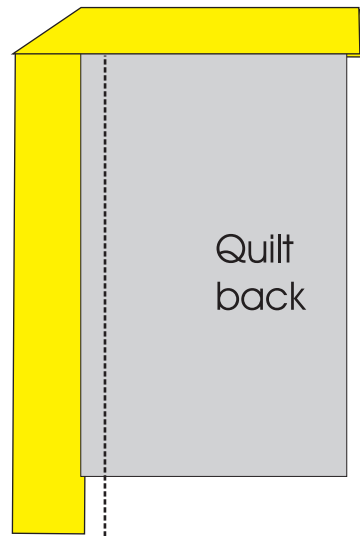


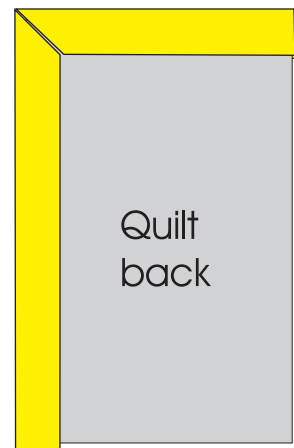
# Continuous bindings with mitred corners



To turn the mitred corners to the back, hold the edge that has the bulk from the fold in the corner. Flip binding to the back.



When you fold the second edge to the back the bulk of it will even out the corner and you will have a very neat mitred corner. Slipstitch the binding in place.



Instructions written and illustrated by Mary Metcalf

[www.kiwiquilts.co.nz](http://www.kiwiquilts.co.nz)

July 2006